



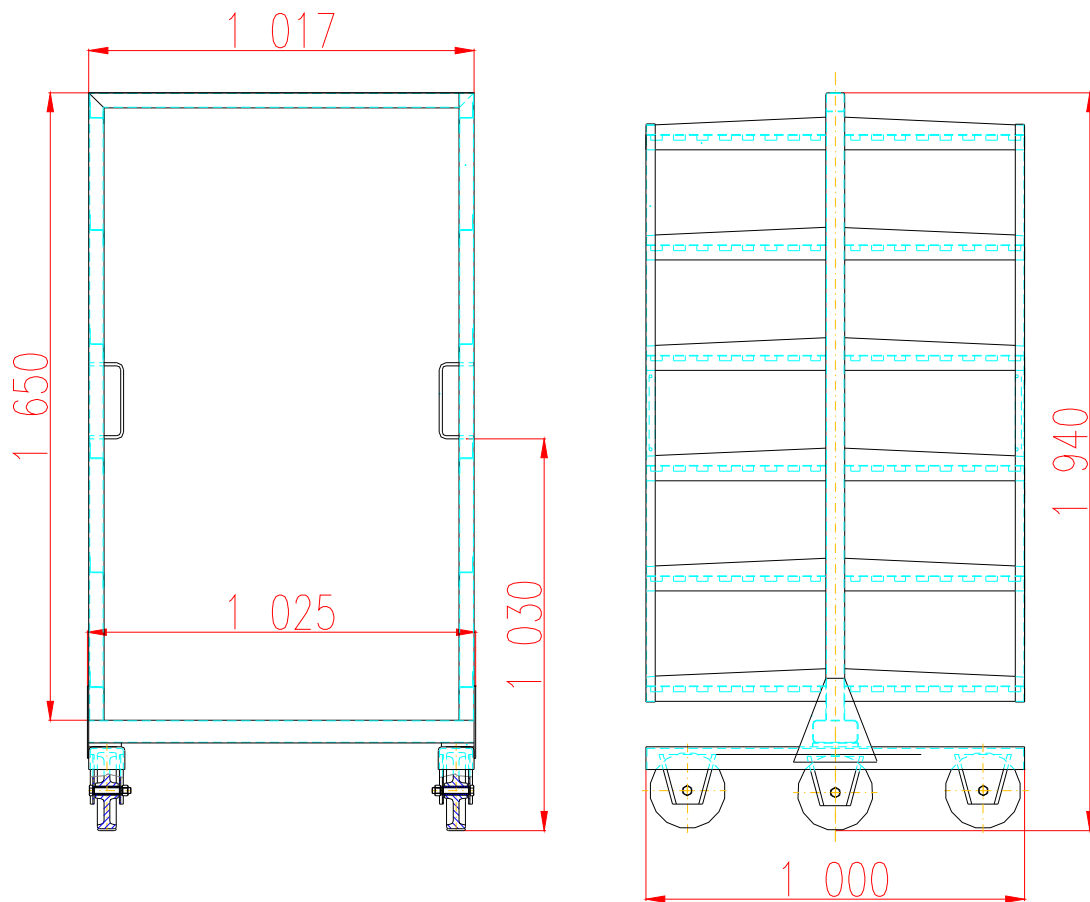
## SMOKING CART 6 STAGES



---

**Strojírna Pálava Maxima s.r.o.**

DESÁTKOVÁ 124/15, 623 00 BRNO KOHOUTOVICE  
Manufactory: TOVÁRNÍ 34, 679 32 SVITÁVKA, CZECH REPUBLIC  
tel: +420 - 516 453 834, fax: +420 - 516 453 834  
e-mail: [info@s-palava.cz](mailto:info@s-palava.cz); [www.s-palava.cz](http://www.s-palava.cz)



The trolley is used for storage meat products, which are hooked on smoking rods or on special gratings during transportation, stocking and heat treatment. The trolley is made of banded metal plate stainless steel profiles and equipped with six wheels from nylon or taburen. Two wheels in the middle are stick out about ca 5 mm from the console against the outer wheels. This setting of mobile wheels guarantees easy manipulation with the cart.

### Technical data

Length	1000 mm
Width	1025 mm
Height	1940 mm
Max. load	450 kg
Weight	68 kg